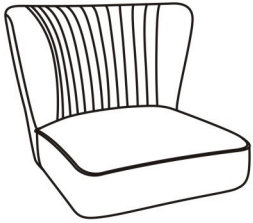
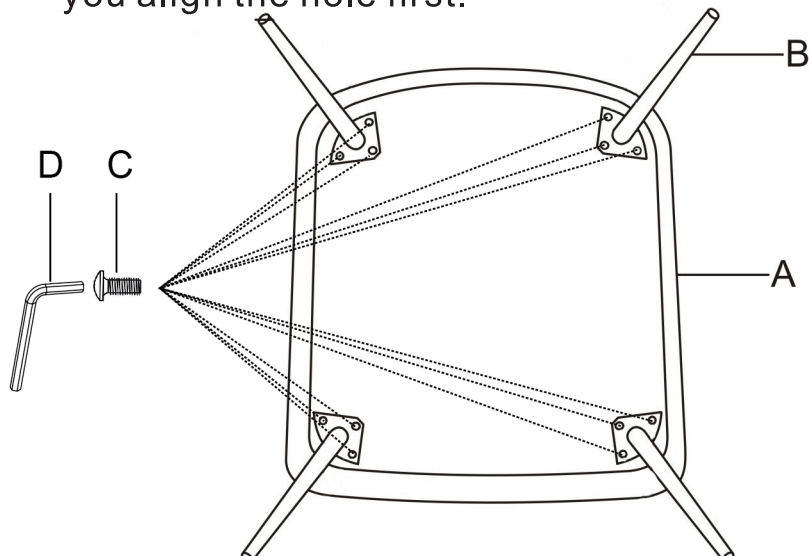
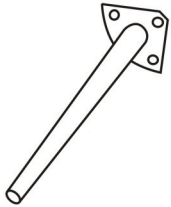
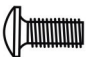
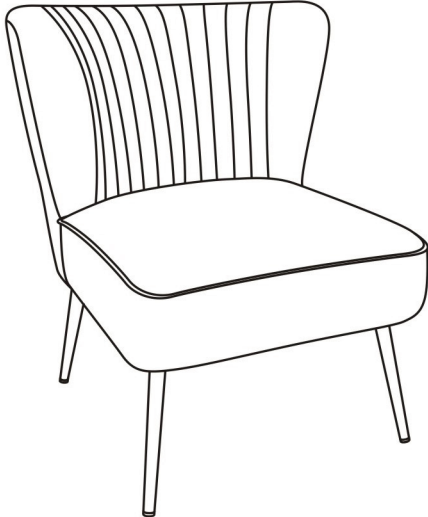


Assembling Instruction

<p>Ax1</p> 		<p>① Do not fully tighten the bolts until all the bolt align with the hole. Pls be sure you align the hole first.</p> 
<p>Bx4</p> 		
<p>Cx12</p>  <p>M6X18MM</p>		<p>②</p> 
<p>Dx1</p> 